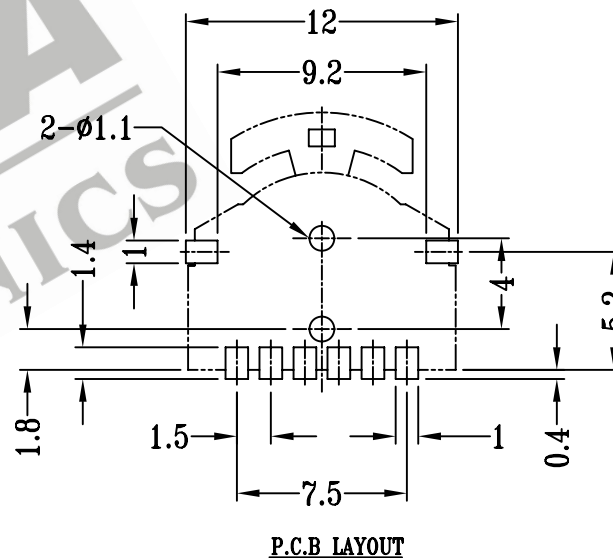
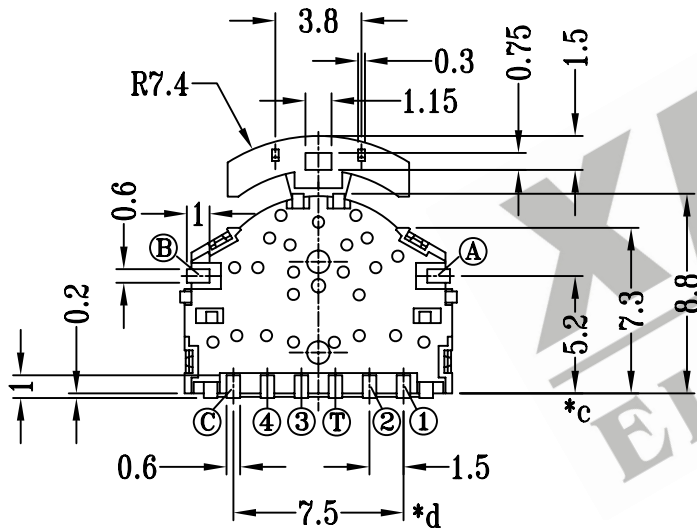
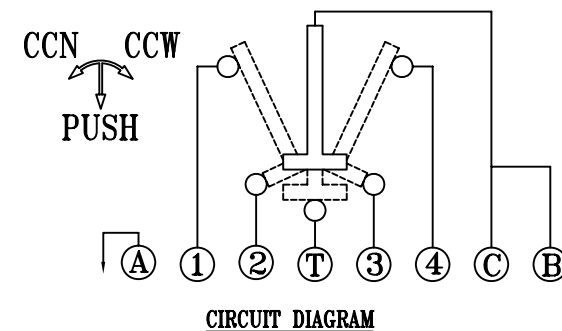
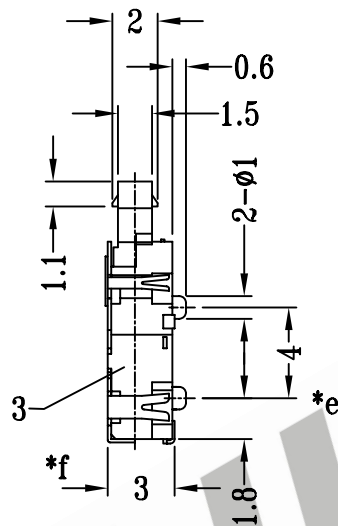
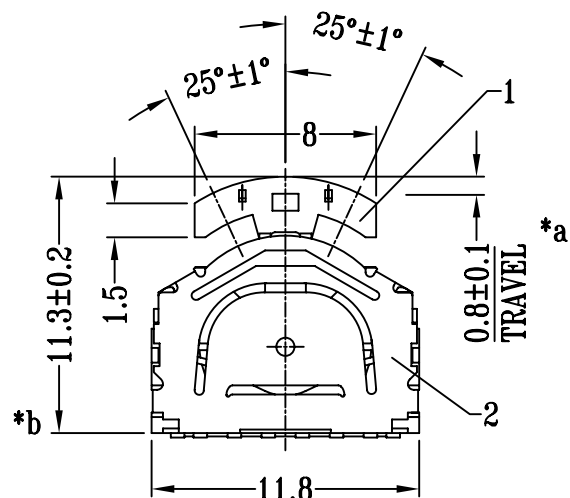


CAD FILE:



注:带"\*"表示关键尺寸(6个)

8					TOLERANCE UNLESS SPECIFIED	SHENZHEN XIEJIA ELECTRONICS CO.,LTD.				
7										
6					WITHIN: 1.5±0.1mm	ISSUE	DATE	DESCRIPTIONS OF REVISION		APPD.
5	CONTACT	SUS	1	Ag CLAD	OVER : 1.5±0.2mm					
4	SPRING	STAINLESS STEEL	1	NATUTAL	TITLE : MULTI FUNVTION SWITCH		UNIT : mm	DRWG NO.: XJ-DR-MT012-00		
3	CASE	ARLEN/BRASS STRIP	1	BLACK/Ag PLATED						
2	COVER	STAINLESS STEEL	1	NATURAL	MODEL: MT-012		SCALE: 3 : 1	DWN.	ZHOUYU	2003-12-5
1	KNOB	PA46	1	BLACK				CHK'D	FANGYING	2003-12-5
NO.	PARTS	MATERIALS	Q'TY	FINISH	ALL MATERIALS MUST BE COMPLIANT TO ROHS			APPD.	KANGXINAN	2003-12-5